

4

3

2

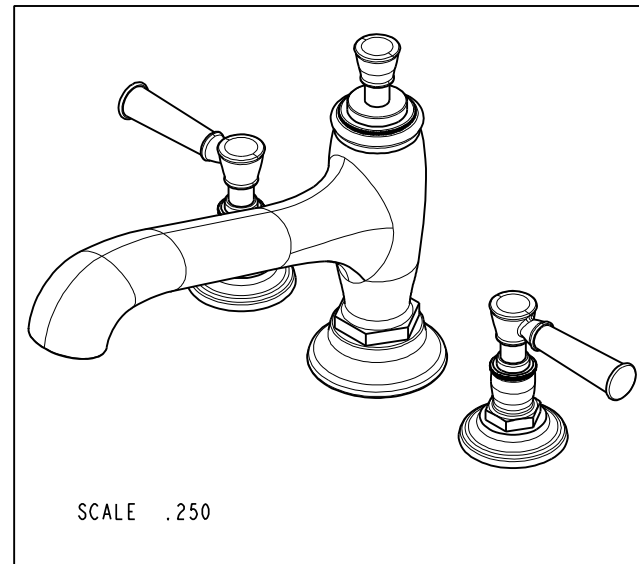
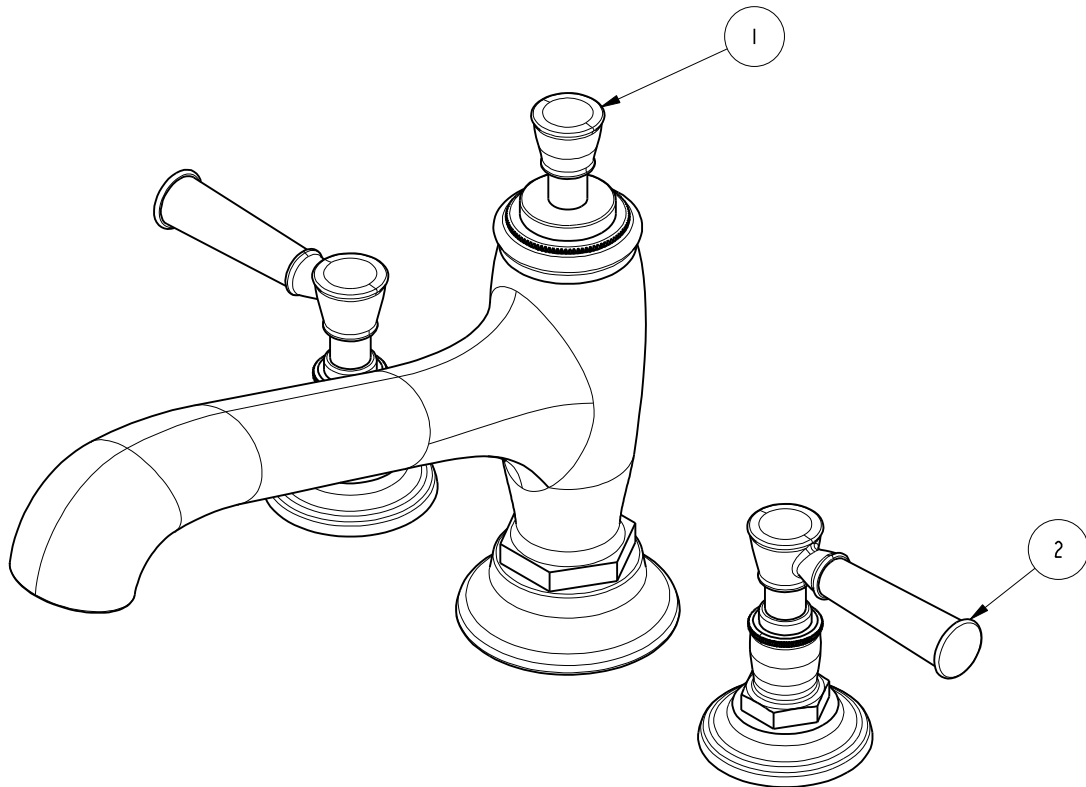
1

NOTES:

1. TO INSPECT ASSEMBLY, FOLLOW FIRST ARTICLE AND IN PROCESS INSPECTION SHEET.

BILL OF MATERIAL (CURRENT LEVEL)

ITEM	PT/ASSY	DESCRIPTION	TYPE	QTY.
1	20-128	R/T SPOUT ASM	ASSEMBLY	1
2	3-561	LEVER HANDLE W/ESC.	ASSEMBLY	2



TESTING	-	-	-
ASSEMBLY	-	-	-
PLATING	-	-	-
POLISHING	-	NEXT ASSY	USED ON
MACHINING	-	APPLICATION	
TOOLING FIXTURE #	REMOVE ALL BURRS AND SHARP EDGES		

UNITS ARE: INCHES [MM]

TOLERANCES ARE:

FRACTIONS DECIMALS ANGLES

 $\pm 1/16"$.X $\pm .1$ [2,5] $\pm 1^\circ$.XX $\pm .06$ [1,5](X.XXX) DENOTES CRITICAL DIMS.
ALL THREADS ARE CRITICAL

DRAWN JINSON 02/02/21

CHECKED R.S. 02/02/21

APPROVED R.S. 02/02/21

BRASSTECH
INCORPORATED2001 CARNEGIE AVE.
SANTA ANA, CA 92705
(949) 417-5207

ROMAN TUB ASSEMBLY

DWG NO.

3-2916

REV

B

SCALE .400

REF.

SHEET 1 OF 3

ZONE	REV	DESCRIPTION	DATE	APPROVED
-	B	EN-4300w	02/02/21	R.S.
-	A	EN-3102	07/26/16	J.M
-	-	EN-2838c	08/10/15	J.M

COPYRIGHT 2005 BRASSTECH, INC.
THESE DRAWINGS AND THE DESIGNS
DEPICTED HEREIN ARE THE PROPRIETARY
PROPERTY OF BRASSTECH. ANY USE
OR REPRODUCTION IS SUBJECT TO
THE EXPRESS APPROVAL OF BRASSTECH.
UNAUTHORIZED USE IS STRICTLY
PROHIBITED. ALL RIGHTS RESERVED.

4

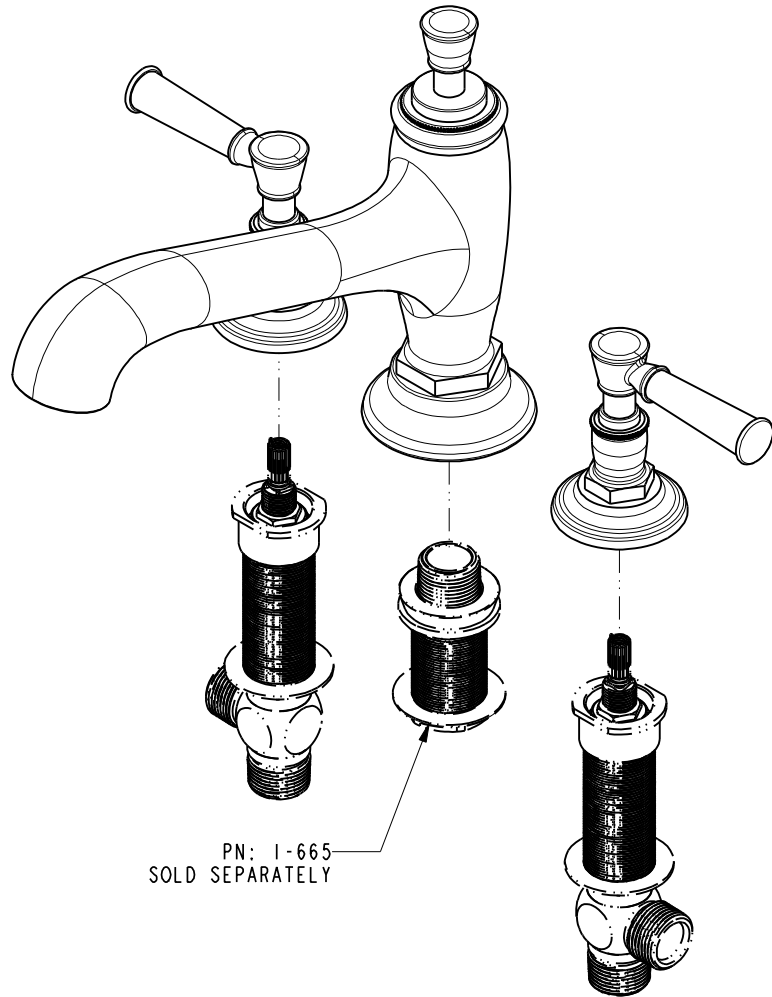
3

2

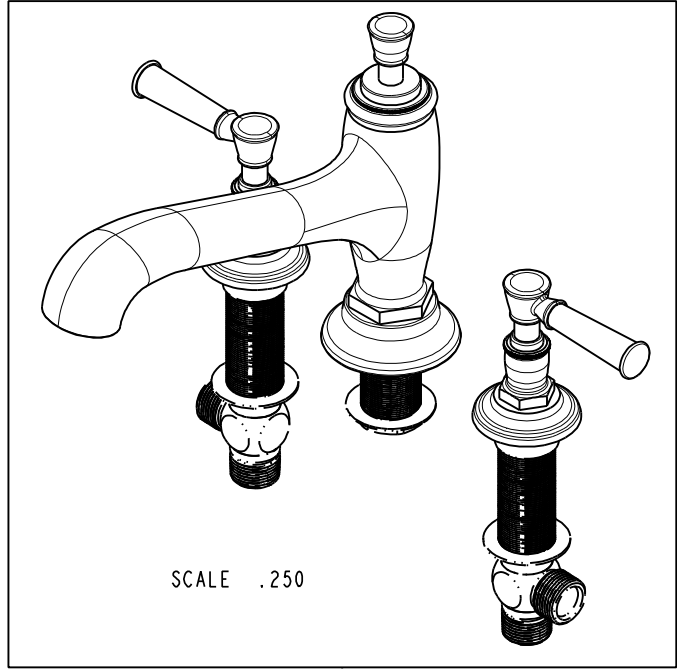
1

A

A

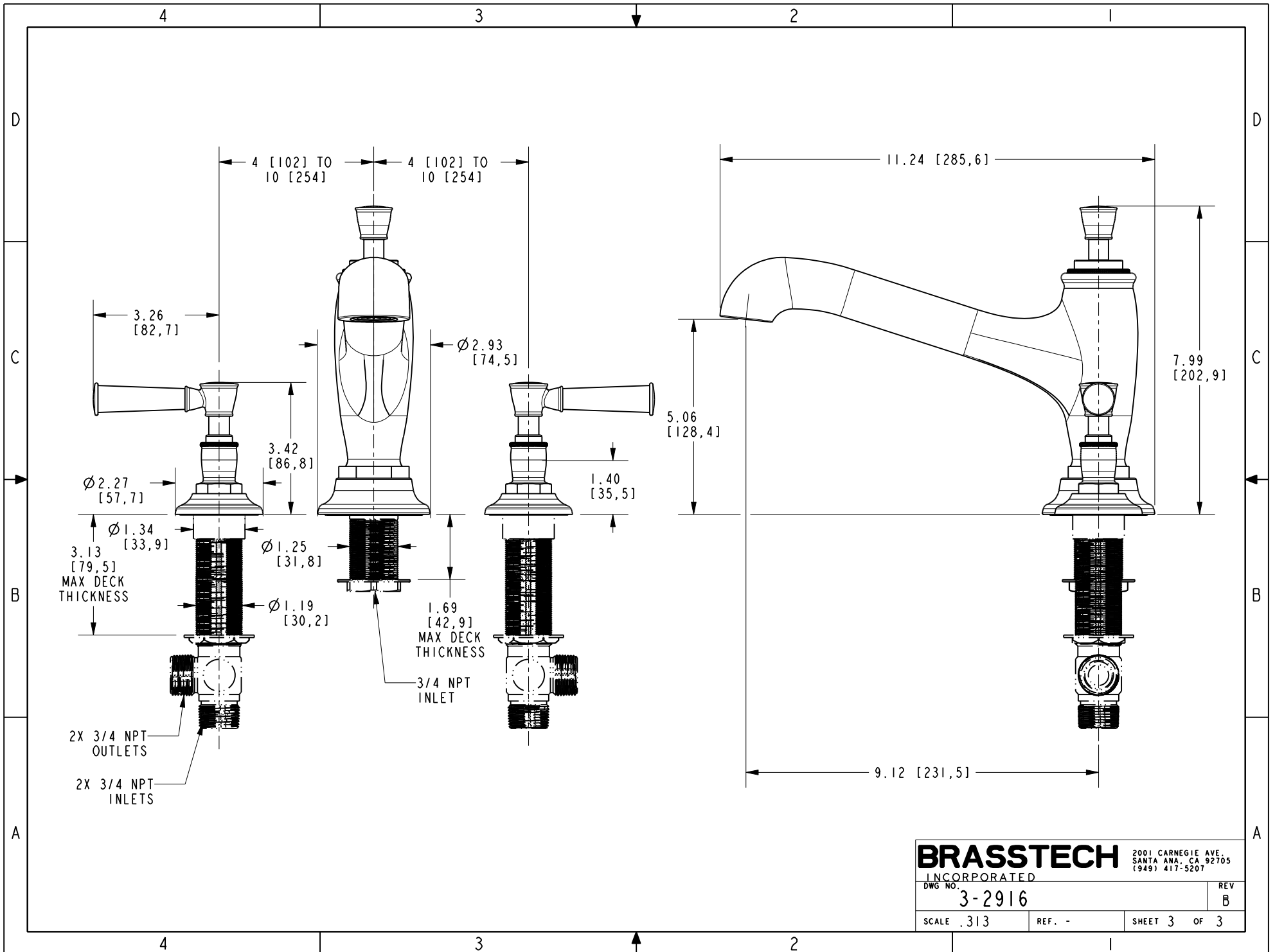


PN: 1-665
SOLD SEPARATELY



SCALE .250

BRASSTECH		2001 CARNEGIE AVE. SANTA ANA, CA 92705 (949) 417-5207	
INCORPORATED			
DWG NO.	3-2916	REV	B
SCALE .313	REF. -	SHEET 2 OF 3	



BRASSTECH 2001 CARNEGIE AVE.
 INCORPORATED SANTA ANA, CA 92705
 (949) 417-5207

DWG NO. 3-2916	REV B
SCALE .313	REF. -
SHEET 3 OF 3	